



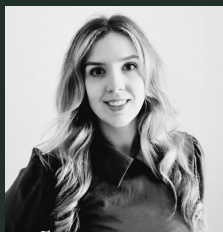
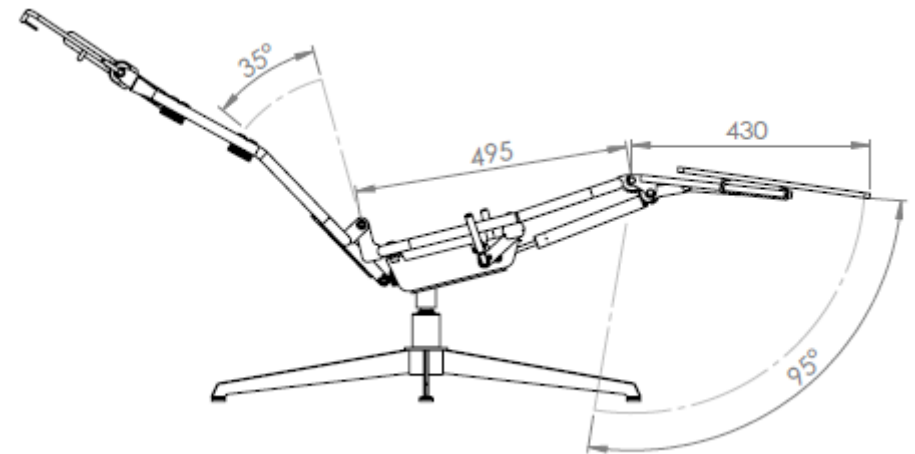
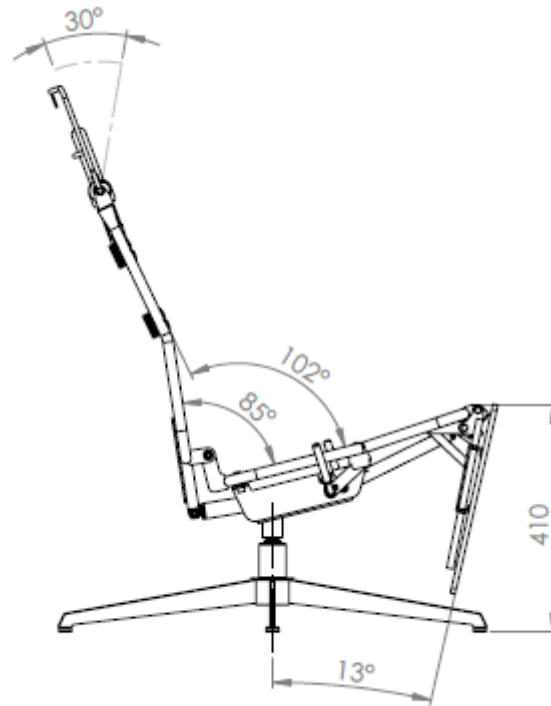
Product Specification

A manual model with footrest



^
Watch video

- > Light weight
- > Extraordinary comfort
- > Design freedom



Get in touch

Ida Nelvik
Export Manager
ida@sykkylvenstal.no

+47 416 51 980
www.dyfosit.no

Dyfosit[®]
by SYKKYLVEN STÅL



A manual model
with footrest

Unique benefits of MK4

- > Tested and approved according to NS-EN 16139:2013.
- > Patented footrest - extends during elevation, fabric will be kept nice and tight.
- > Fixed hand wires on both sides.
- > The seat is slightly tilted in a 13 degrees angle.

Embracing Comfort, Quality and Design Fre-

Embrace Dyfosits' standards of comfort and quality, and discover our commitment to give you design freedom. Each feature of our models has been carefully crafted to enhance your customers' relaxation experience.

Comfort for your customers

- > Curve-motion in back reflects a natural and balanced seating position.
- > Increased support in upper-back and shoulder area.
- > Smooth reclining movement with gas spring.
- > Ensures ergonomic and comfortable seating.
- > Back and footrest is independent of each other.

Easy collaboration

- > Few suspension points gives great design freedom.
- > Back- and seatframe tailored to design.
- > Armrests can be added to seat- or backframe, dependent on design.
- > Comparable with different headrest solutions.
- > Suitable for molded foam.

